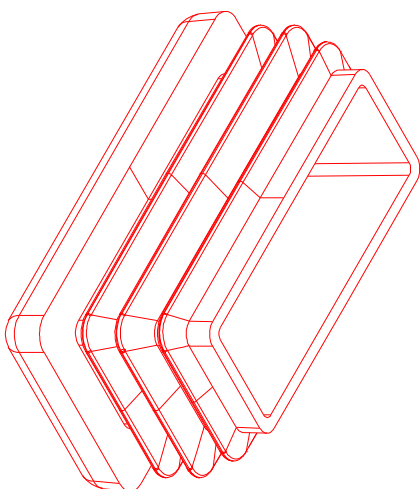
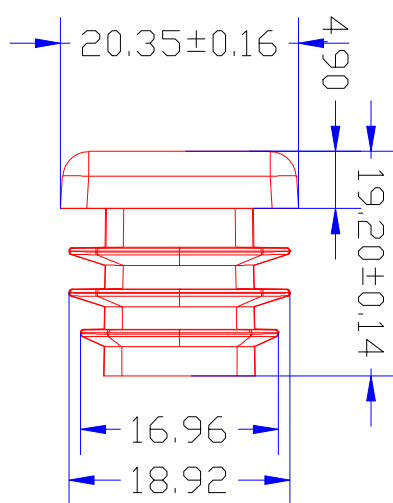
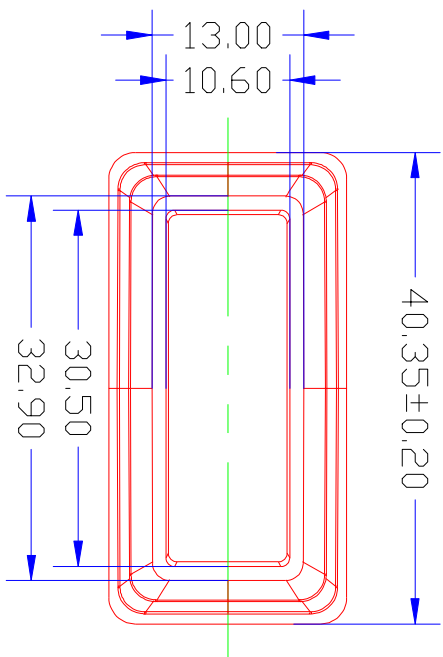


SECTION A-A



Designed by (审核)	drawer (绘图)	Checked by (设计)	Material (材料)	Weight (重量)	Scale 1:1 (比例)	Project View (第一角投影)	Date (日期)
蔡敏	蔡敏	蔡敏	HDPE	5.03g±0.1	1:1	(mm)	10/04/2017

Name(名称):

SINO577022-3 (29)

SINO HOLDINGS
www.sinoholding.com

TEL: 86-576-84023777 FAX: 86-576-84018996
Eml: mould@china.com Url: www.cnmould.com